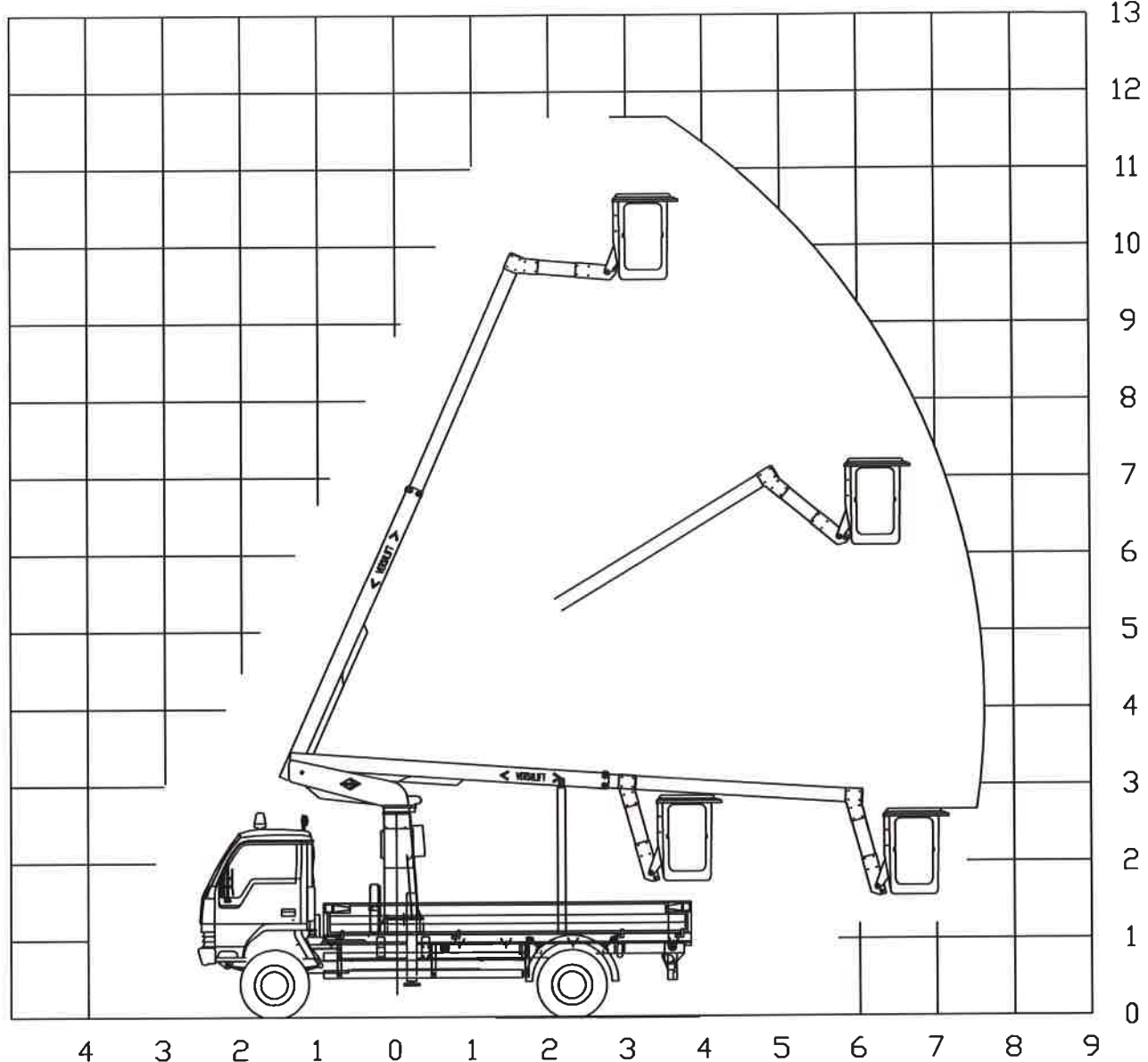


meters



Horizontal outreach may be reduced due to vehicle stability

		Flyboom	FIXED
Working height	11.6 m	Platform height	9.6 m
Platform load	200 kg	Horizontal outreach	7.6 m



**PROPERTY INFORMATION**

This drawing, its design detail, dimension, tolerances and disclosure are the confidential information and exclusive property of TIME INTERNATIONAL, and shall not be traced, reproduced or copied in any manner nor disclosed to any outside party without the prior written consent of TIME INTERNATIONAL, all rights reserved

NOTES : MAINFRAME = VISUAL REPRESENTATION

TITLE :  
 ET-34-NE  
 MITSUBISHI CANTER 4x4  
 3865 W/B, 6.5T, C/CAB

DWN BY :	DATE :	LAST UPDT.
CJF	14.09.15	

REV.:	REV. DATE :	SCALE :
		N/A

DRAWING NUMBER :
VDL1739-RANGE