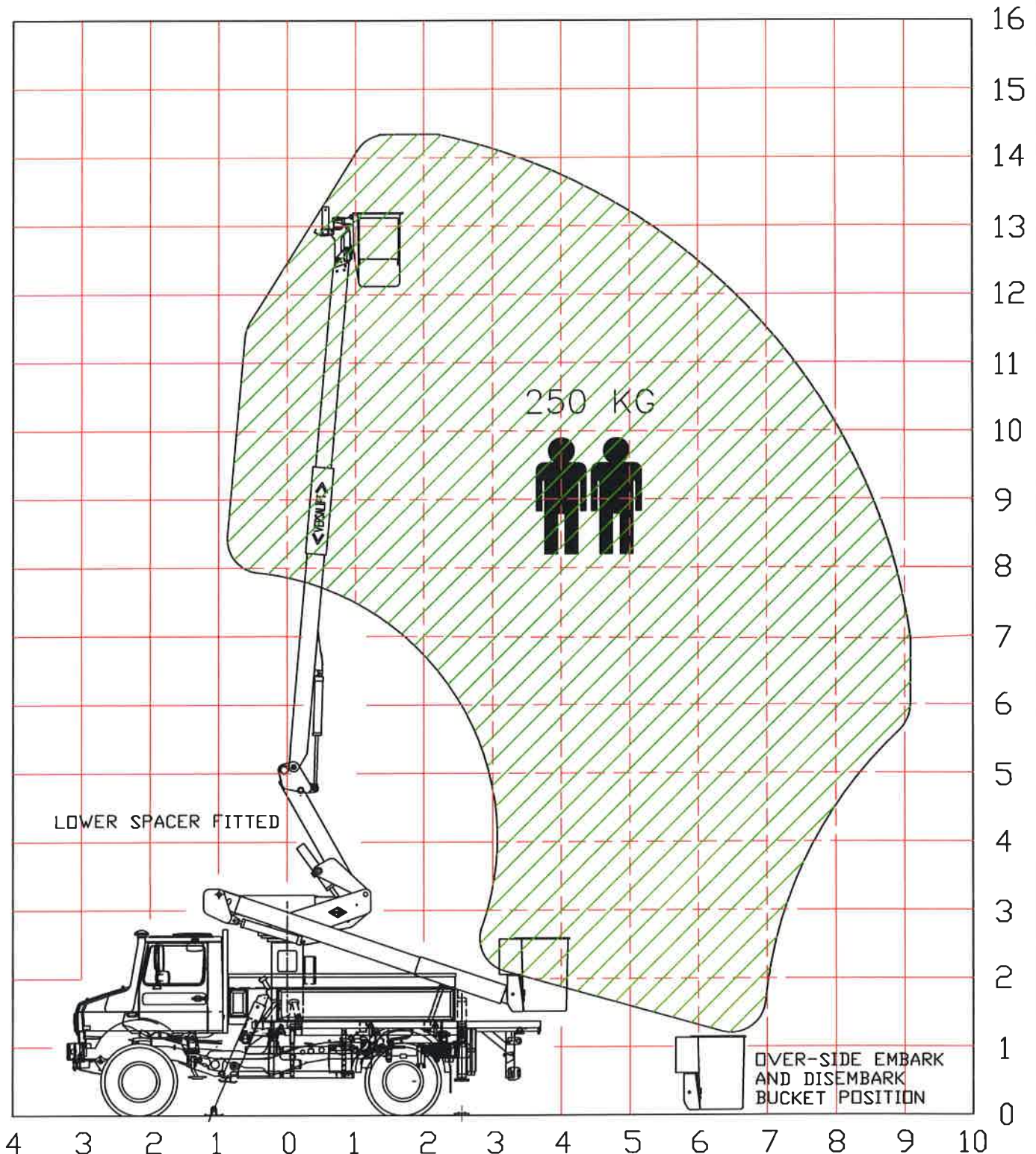


RANGE DIAGRAM

VST 240I (NO MATERIAL HANDLING)
MERCEDES UNIMOG U4000
9.5TGVW, 3850mm WB

METERS

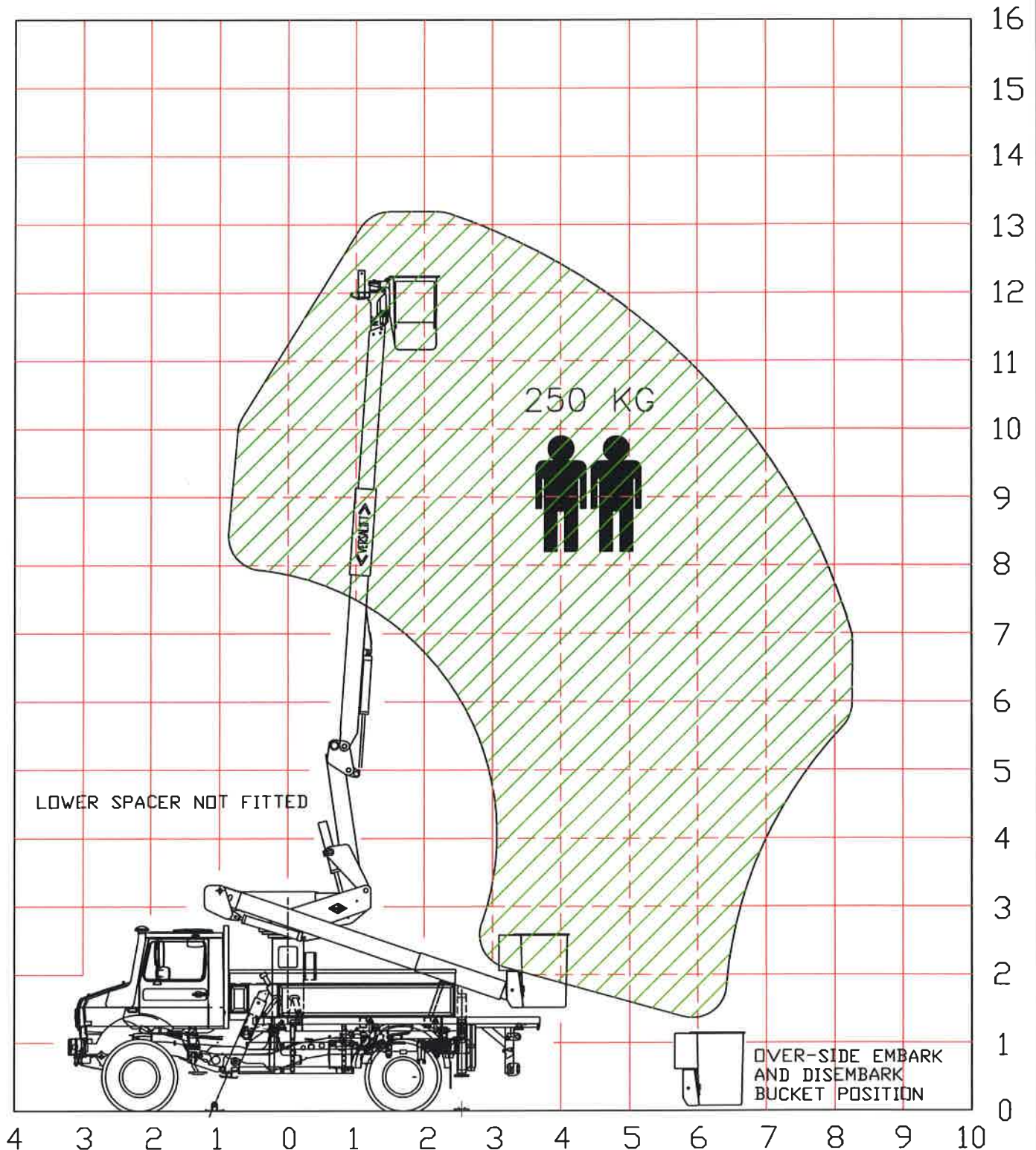


The working height and outreach may vary depending on vehicle type, size and outrigger system.

RANGE DIAGRAM

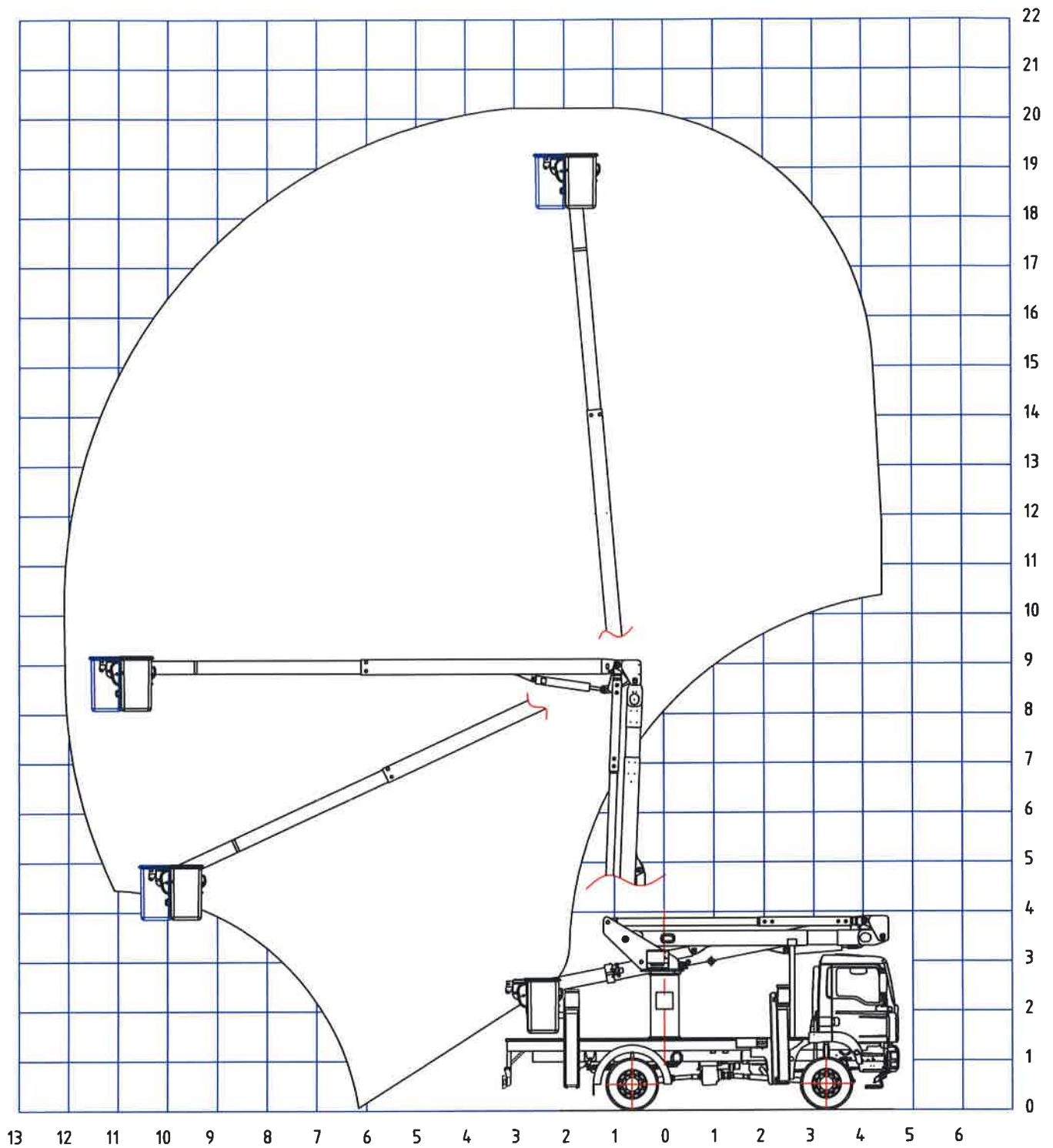
VST 236I (NO MATERIAL HANDLING)
MERCEDES UNIMOG U4000
9.5TG VW, 3850mm WB

METERS



The working height and outreach may vary depending on vehicle type, size and outrigger system.

METERS



| | | | |
|----------------|----------|---------------------|---------|
| | | Insulation | 69 KV |
| Working height | 20,20 m | Platform height | 18,20 m |
| Platform load | 2X100 kg | Horizontal outreach | 12,00 m |



PROPERTY INFORMATION

This drawing, its design detail, dimension, tolerances and disclosure are the confidential information and exclusive property of TIME INTERNATIONAL, and shall not be traced, reproduced or copied in any manner nor disclosed to any outside party without the prior written consent of TIME INTERNATIONAL, all rights reserved

NOTES :

RADIAL OUTRIGGERS
51" PEDESTAL

TITLE :

VST-6000-MHI
MAN
TGM 18.280 WB 3900

| | | |
|------------------|-------------|--------------|
| DWN BY : | DATE : | LAST UPDT. : |
| J.R. | 100518 | |
| REV. : | REV. DATE : | SCALE : |
| | | fit |
| DRAWING NUMBER : | | |
| SD-2096-2 | | |