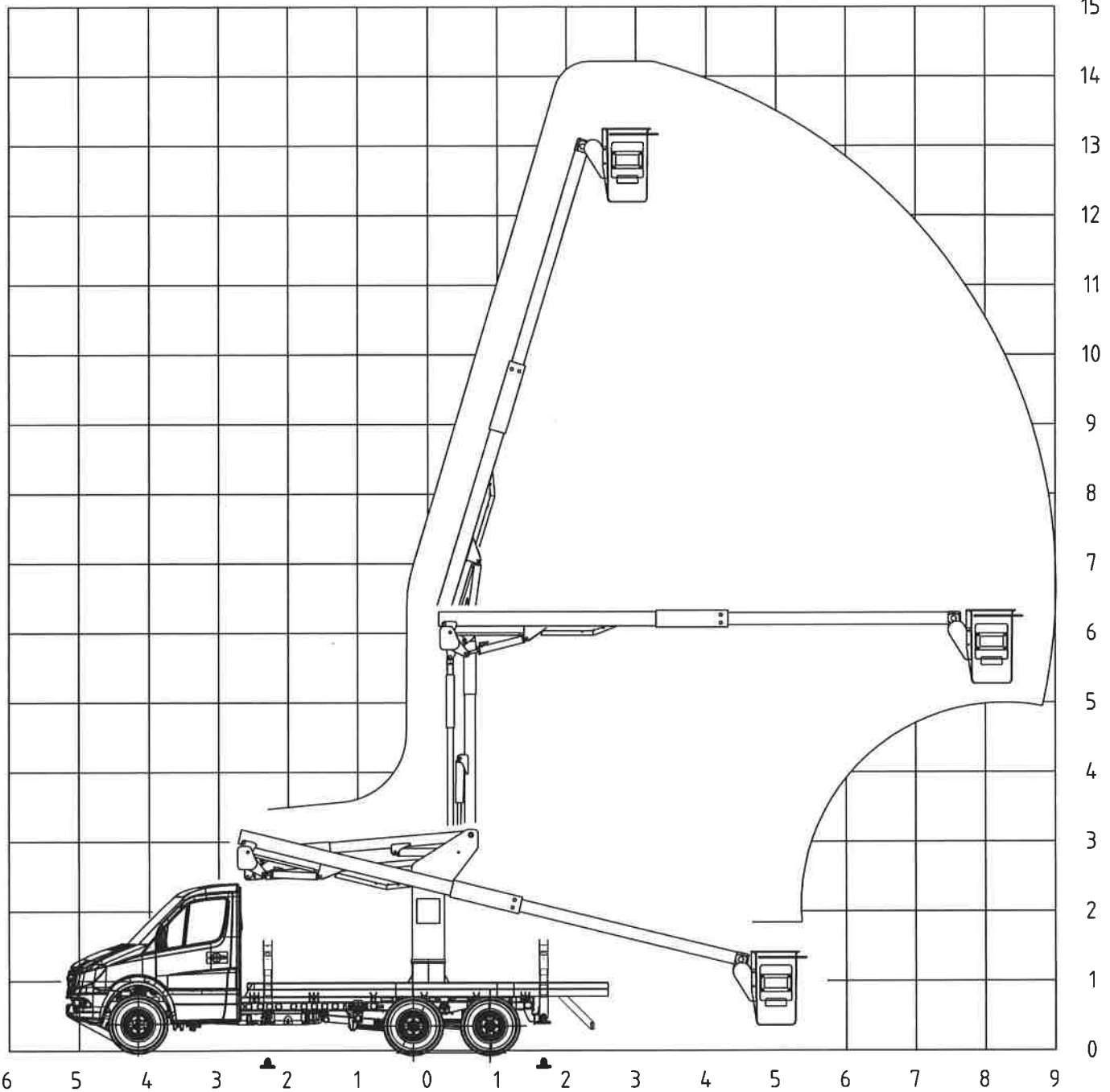


meters



Horizontal outreach may be reduced due to vehicle stability

		Flyboom	N/A
Working height	14,20 m	Platform height	11,00 m
Platform load	200 kg	Horizontal outreach	9,00 m



PROPERTY INFORMATION

This drawing, its design detail, dimension, tolerances and disclosure are the confidential information and exclusive property of TIME INTERNATIONAL, and shall not be traced, reproduced or copied in any manner nor disclosed to any outside party without the prior written consent of TIME INTERNATIONAL, all rights reserved

NOTES : MAINFRAME = VISUAL REPRESENTATION

TITLE:
SST-40-EIH
OBERAIGNER 6 x 6
7.0T, 3950W/B

DWN. BY :	DATE :	LAST UPDT. :
P.B	10.08.15	
REV.:	REV. DATE :	SCALE :
		N/A
DRAWING NUMBER :		
VDL1811-RANGE		